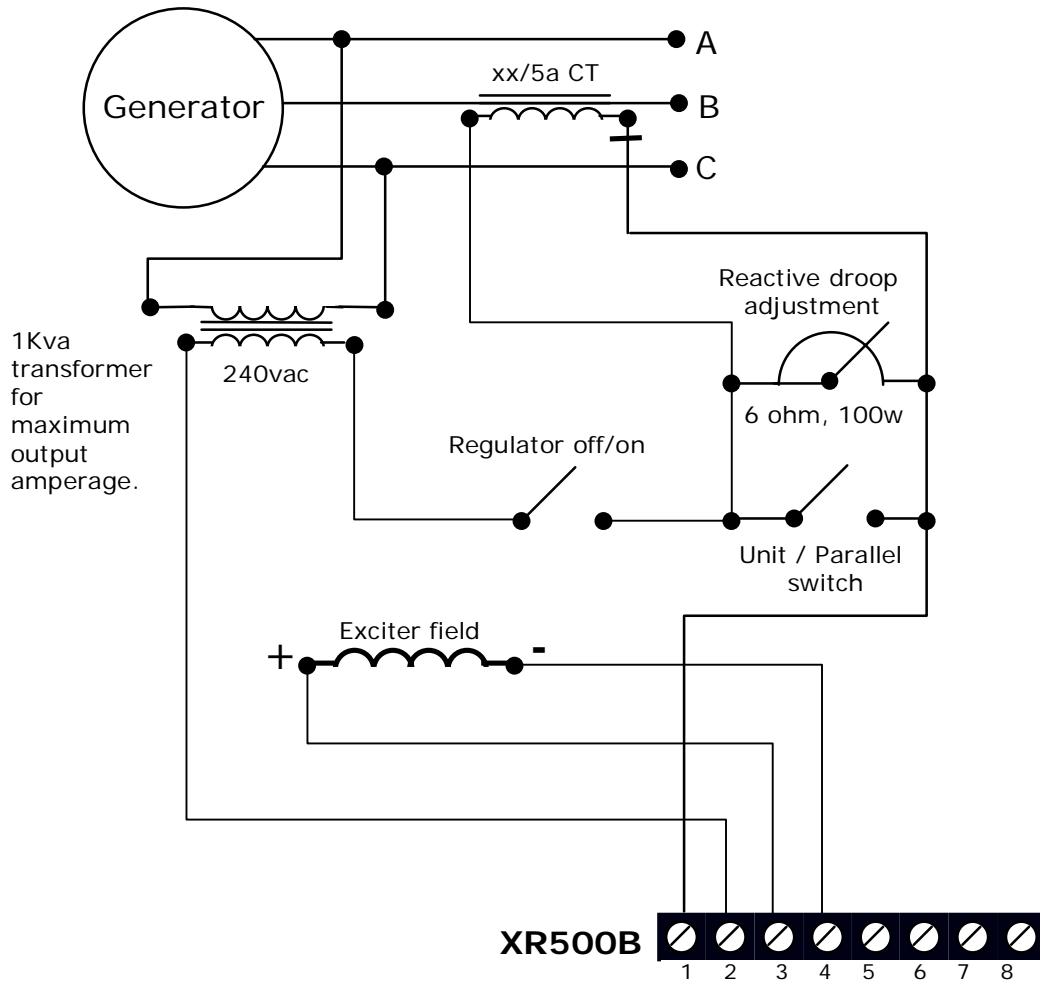
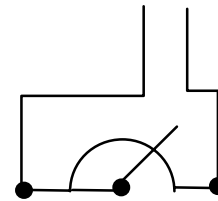


Parallel Connections for the XR500B Universal Voltage Regulator (Connection A)



For stand alone operation, close the Unit/Parallel switch.

If the voltage raises during motor loading, reverse the current transformer leads.

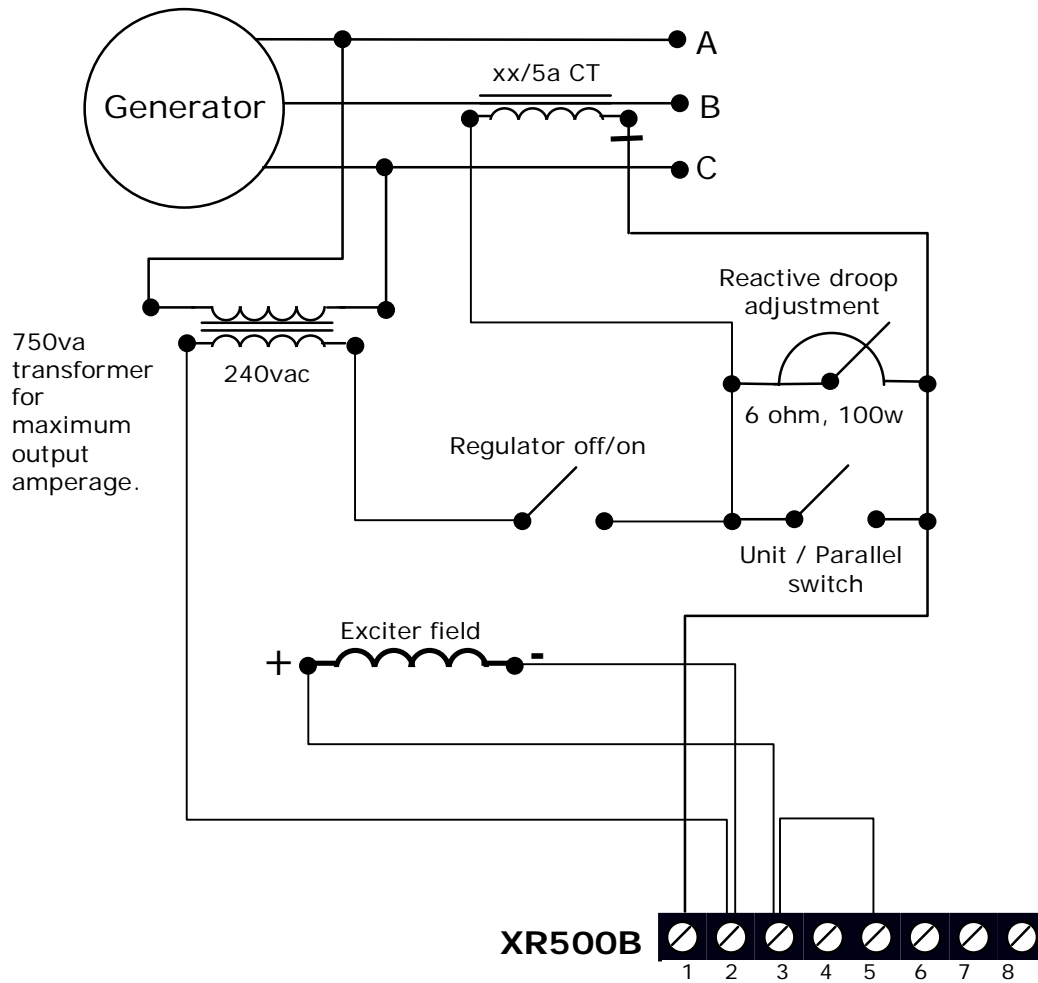


Remote voltage adjustment
100k, 1/2w



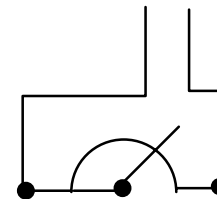
Power-Tronics, Inc.

Parallel Connections for the XR500B Universal Voltage Regulator (Connection B)



For stand alone operation, close the Unit/Parallel switch.

If the voltage raises during motor loading, reverse the current transformer leads.



Remote voltage adjustment
100k, 1/2w



Power-Tronics, Inc.