

# SE3000A STATIC EXCITER

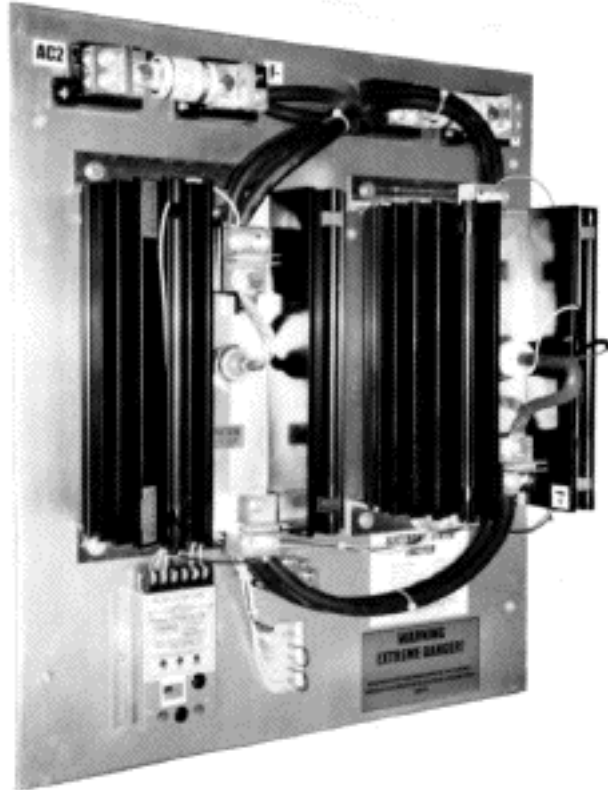
## GENERAL INFORMATION

The SE3000A Static Exciter is a complete 300 amp static exciter that is ready for installation. With the SE3000a Static Exciter, replacement of all types and models of older rotary, saturable reactor, transformer and electronic exciters is made possible.

The SE3000A Static Exciter has been designed so that repairs are a simple process and can be performed quickly and in the field.

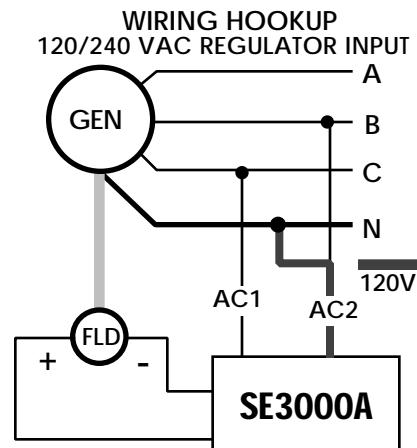
The SE3000A Static Exciter can also be used as a regulated DC power supply for synchronous motors and other applications that require a controlled amount of DC current.

The SE3000 series static exciters are available in several different output voltage ranges and can be custom made to customer specs.



## SPECIFICATIONS

Voltage input required	100 to 240 vac
Operational output voltage range	.75 to 105 vdc
Maximum operational amperage	300 adc
Minimum field resistance	.17 ohms @ 120 vac input .35 ohms @ 240 vac input
Maximum field resistance	200 ohms
Operational frequency range	50 to 60 hz
Regulation accuracy	+/- 1% of voltage setting
Physical size	28 X 24 X 10 inches
Total weight	48 lbs
Internal fusing	300 amps
Maximum / minimum kw	unlimited
Minimum residual voltage for build up	3.5 vac @ 60 hz
Voltage response time	1/2 cycle
Voltage sensing	Waveform ( true rms )
Warranty period	1 year

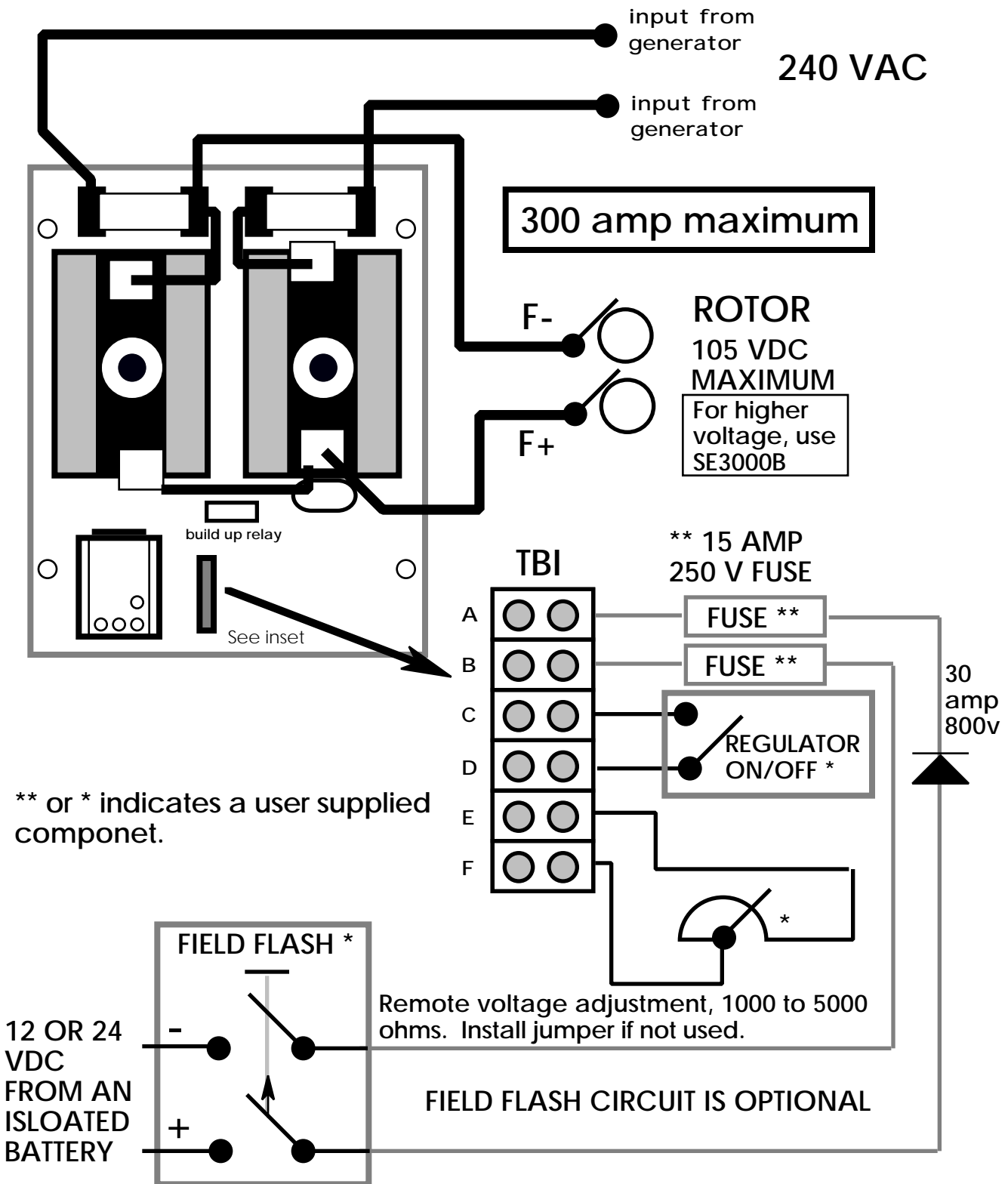


Manufactured by:

**Power-Tronics, Inc.**

P.O. Box 1509, Kerrville Texas 78029-1509

Call: 830 895 4700 Email: pwrtron@power-tronics.com Internet: www.power-tronics.com



Manufactured by:

*Power-Tronics, Inc.*

P.O. Box 1509, Kerrville Texas 78029-1509

Call: 830 895 4700 Email: pwrtron@power-tronics.com Internet: www.power-tronics.com

# START UP INSTRUCTIONS

1. Check all wiring and confirm that all is correct.
2. Refer to the VR504A installation instructions for initial set up of the voltage regulator.
3. Turn regulator switch to **off** position.
4. Start engine and after warm up, bring up to operating speed.
5. Turn on regulator switch.
6. **(THIS UNIT IS PROVIDED WITH A BUILD UP RELAY)** We recommend not using this relay unless the generator will not build up due to the generator's residual voltage being too low. To eliminate the build up relay circuit, simply unplug the build up relay and discard. If this unit is going to be used without the build up relay, Complete set up as per the VR504A instructions.

**IF THIS UNIT IS GOING TO USE THE BUILD UP RELAY:** When the regulator switch is turned on, the voltage will be pulsing to about 150 vac. Follow the VR504A instructions and slowly turn the P1 adjustment CW until the steady pulsing becomes erratic and the voltage is within 80% of desired voltage. Complete set up as per the VR504A instructions.

IF THE FLASH CIRCUIT IS USED: Remove the build up relay and discard. ***USE ONLY AN ISOLATED DC POWER SOURCE*** to flash the fields and use a normally open 2 pole spring loaded push button switch. Flash the fields just long enough for the voltage to increase to about 75 vac. Be sure that the engine is running at rated speed. Once the fields have been flashed, the voltage should be about 100 vac and erratic. Complete set up as per the VR504A instructions.

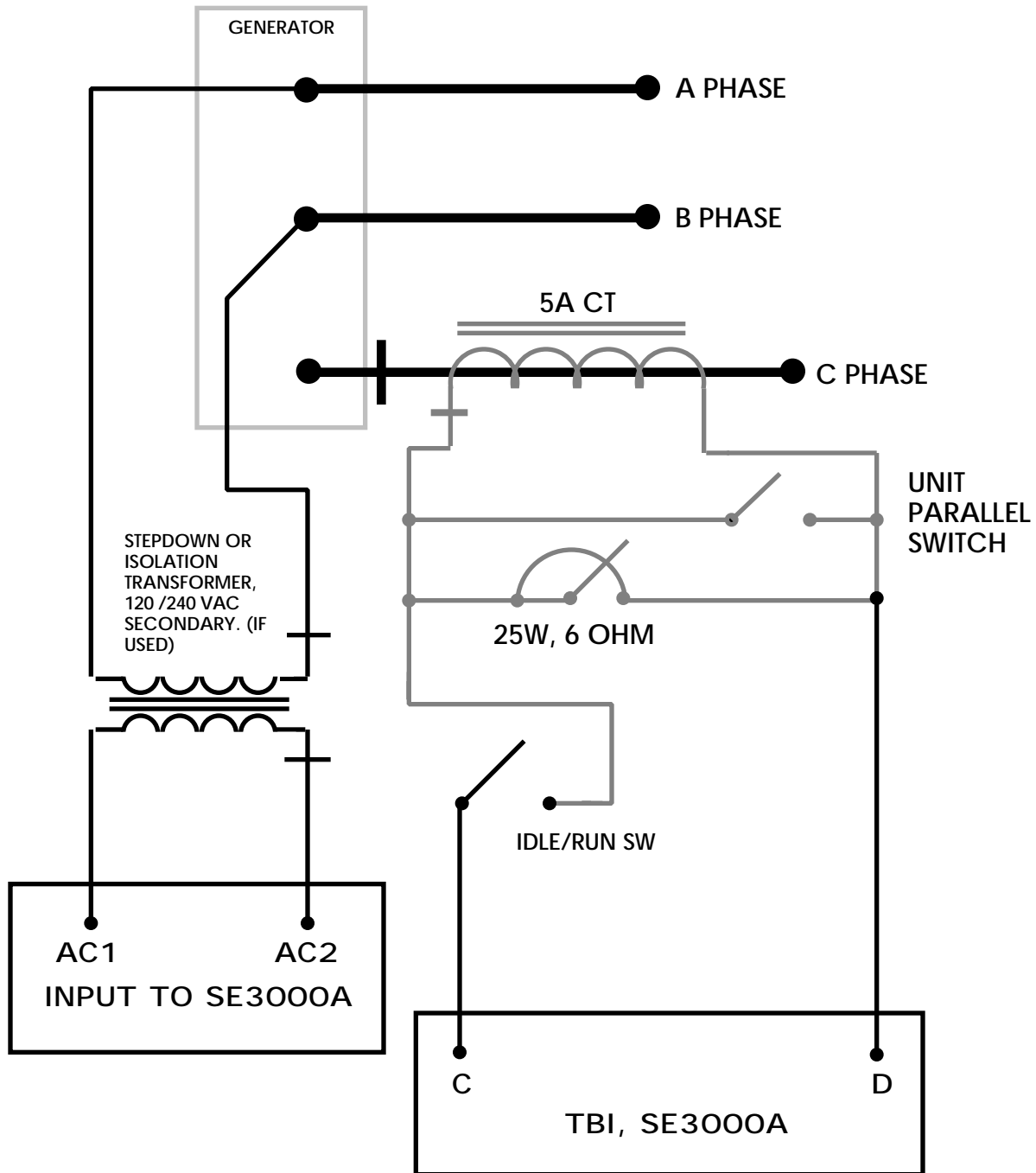
7. For shut down, turn off regulator switch before idling engine.

Manufactured by:

***Power-Tronics, Inc.***

P.O. Box 1509, Kerrville Texas 78029-1509  
Call: 830 895 4700 Email: pwrtron@power-tronics.com Internet: [www.power-tronics.com](http://www.power-tronics.com)

# PARALLEL CONNECTIONS FOR SE3000A



Manufactured by:

*Power-Tronics, Inc.*

P.O. Box 1509, Kerrville Texas 78029-1509  
Call: 830 895 4700 Email: pwrtron@kctc.com Internet: pwrtron.com